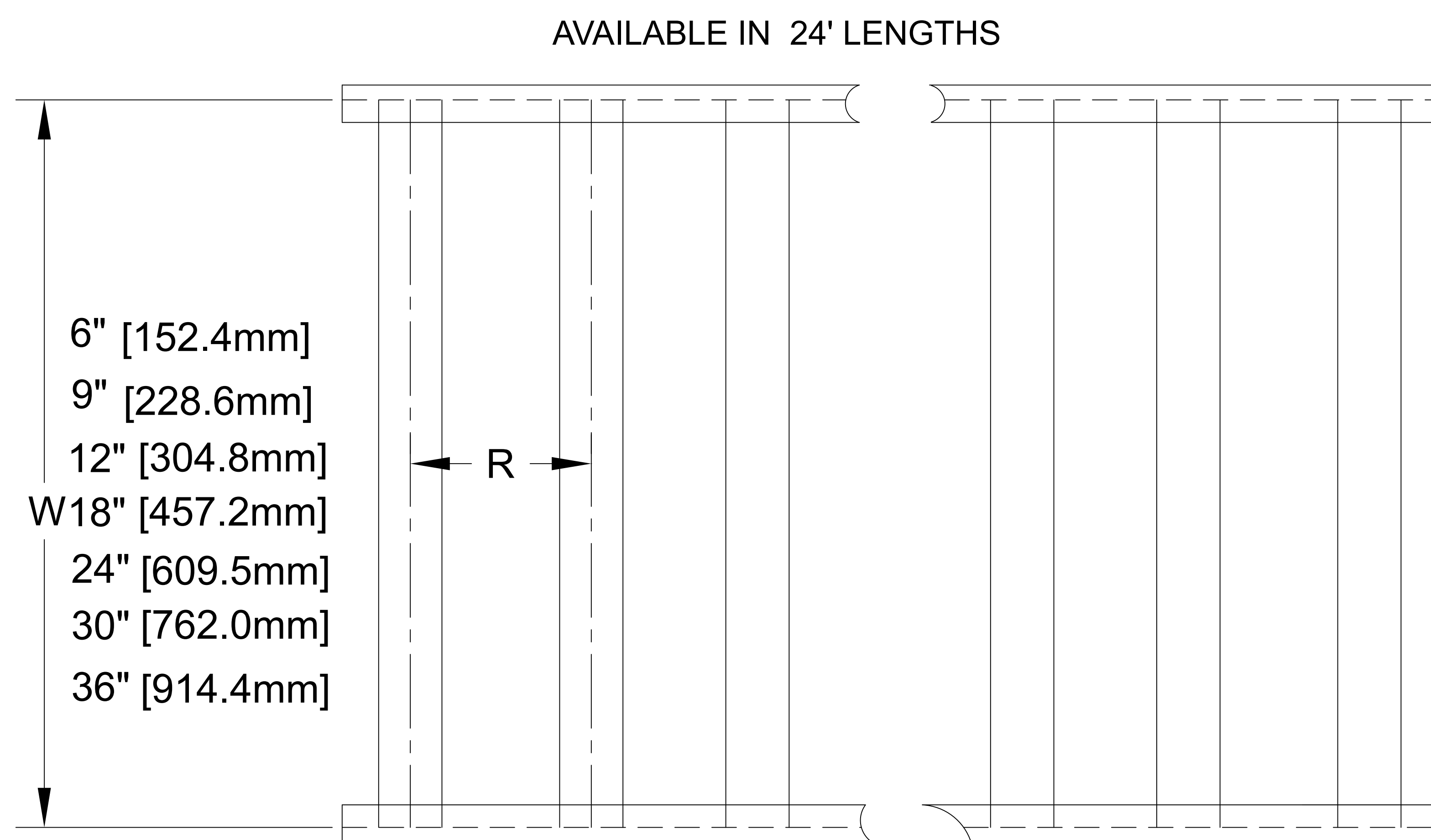
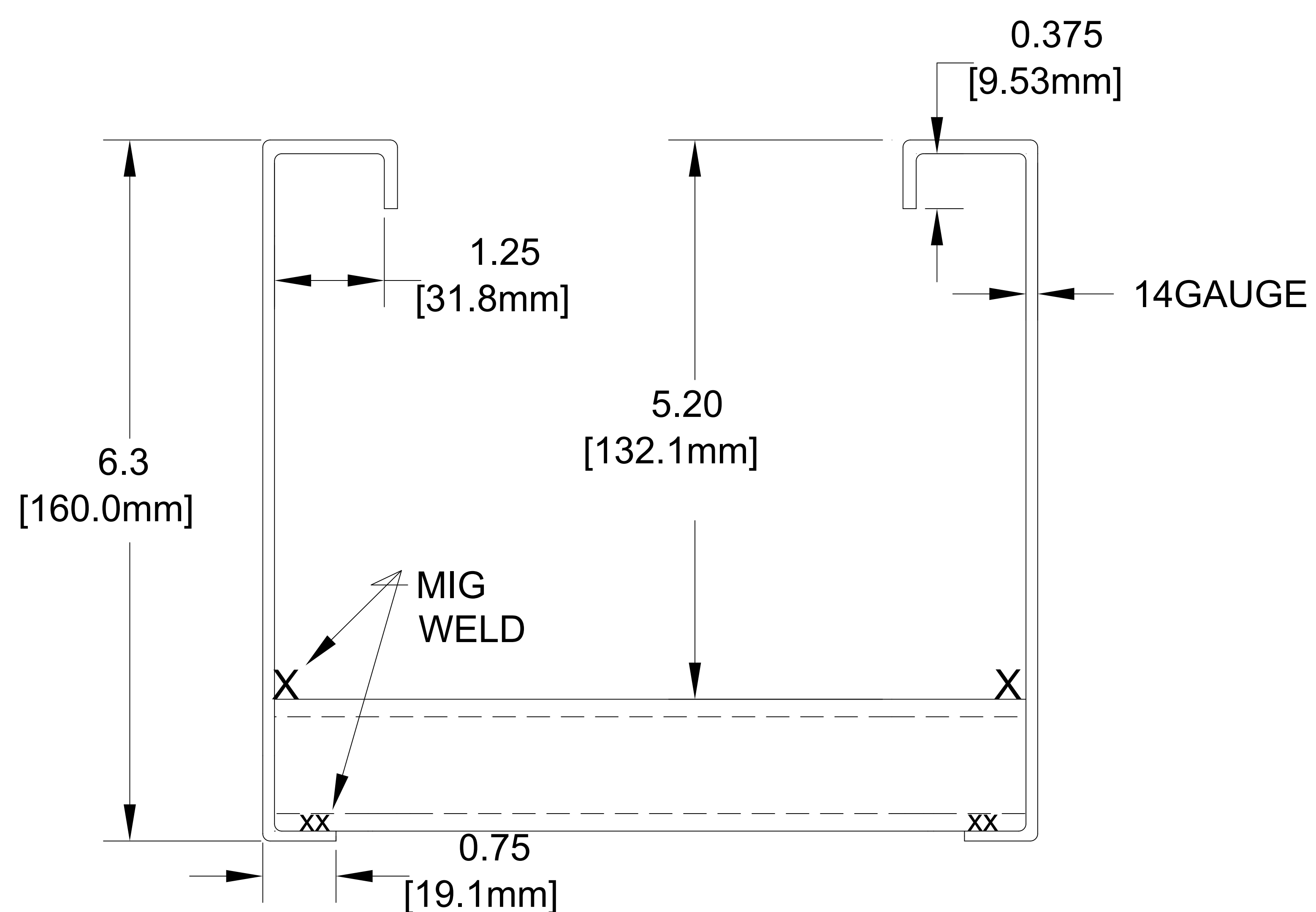


# 364 \* STEEL CABLE TRAY --NEMA 20C, 16C--CSA E1



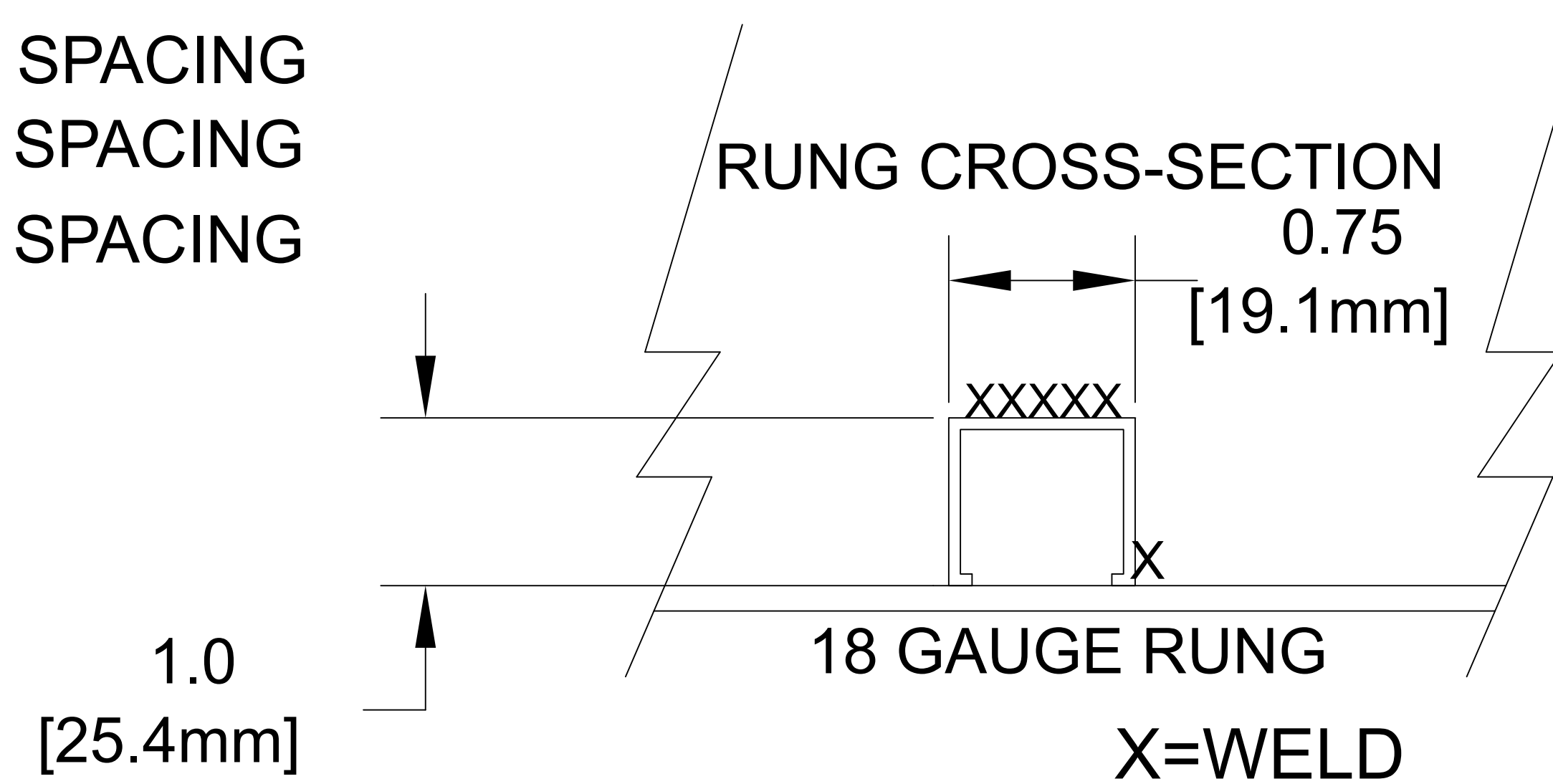
Data (2 Rails)

$I_x = 6.93 \text{ in.}^4$       $S_x = 2.36 \text{ in.}^3$      EGC = 400 AMPS

Allowable Loads - Simple Beam Loads Data - ( Factor of safety - 1.5 )

Span	feet	12	14	16	18	20
	meters	3.66	4.27	4.88	5.49	6.10
Load	lbs/ft	282	206	156	122	100
	kg/m	419.6	306.5	232.1	181.5	148.8
Deflect.	in.	0.68	0.91	1.15	1.45	1.81
	mm.	17.3	23.1	29.2	36.8	45.9
**	K-factor	.0024	.0044	.0074	.0119	.0181

R=6" [152.4mm] RUNG SPACING  
 R=9" [228.6mm] RUNG SPACING  
 R=12" [304.8mm] RUNG SPACING  
 R=18" [457.2mm] RUNG SPACING



Notes: 1. Sheet Metal tolerances 2. Unless noted all dimensions are in inches

\*\* K x W may be used to calculate deflection of lighter loads at indicated spans above

Furnished with 4 Hole Splice Plate (pair) and 8, 9TBN302 3/8" Round Head serrated bolt & integral washer nut assemblies.

**Material:**  
**S = Pre Gal Steel**  
**G = HDGAF Steel**  
**T = 304SS Steel**  
**Z = 316SS Steel**

This drawing and specifications are the property of Chalfant Inc. and shall not be used for the basis of mfg. or sale or quotation of illustrated product without permission.

**Chalfant Cleveland, OH** Tel. 216-521-7922 Fax 216-521-9922

SIZE	FSCM NO.	DWG NO.	REV
<b>A</b>		<b>364* "W"</b>	
SCALE	<b>010-"R"</b> SHEET		