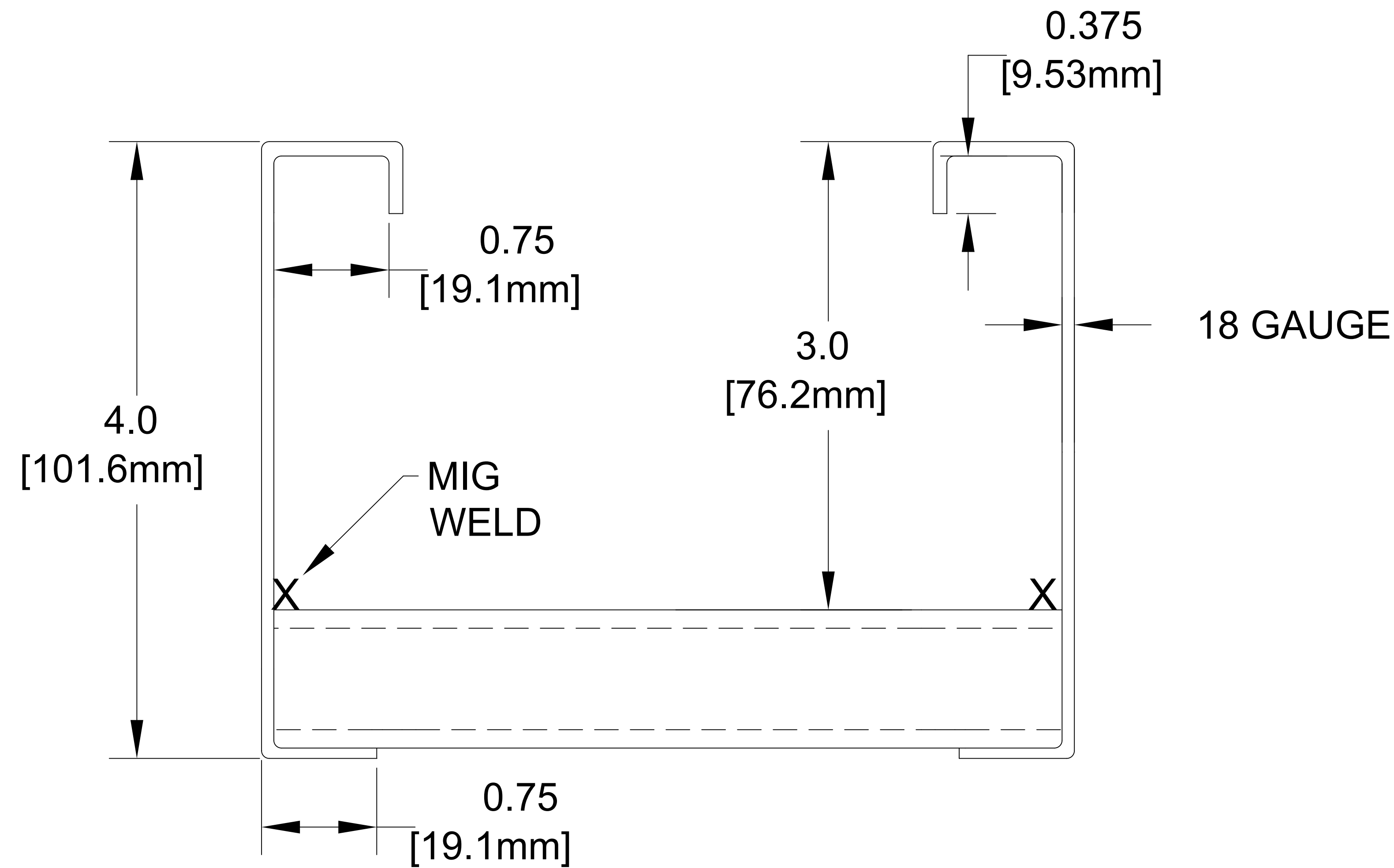


248* STEEL CABLE TRAY --NEMA 12B CSA C

1 @ 3m



Data (2 Rails)

$I_x = 1.26 \text{ in.}^4$

$S_x = 0.65 \text{ in.}^3$

EGC = 100

AMPS

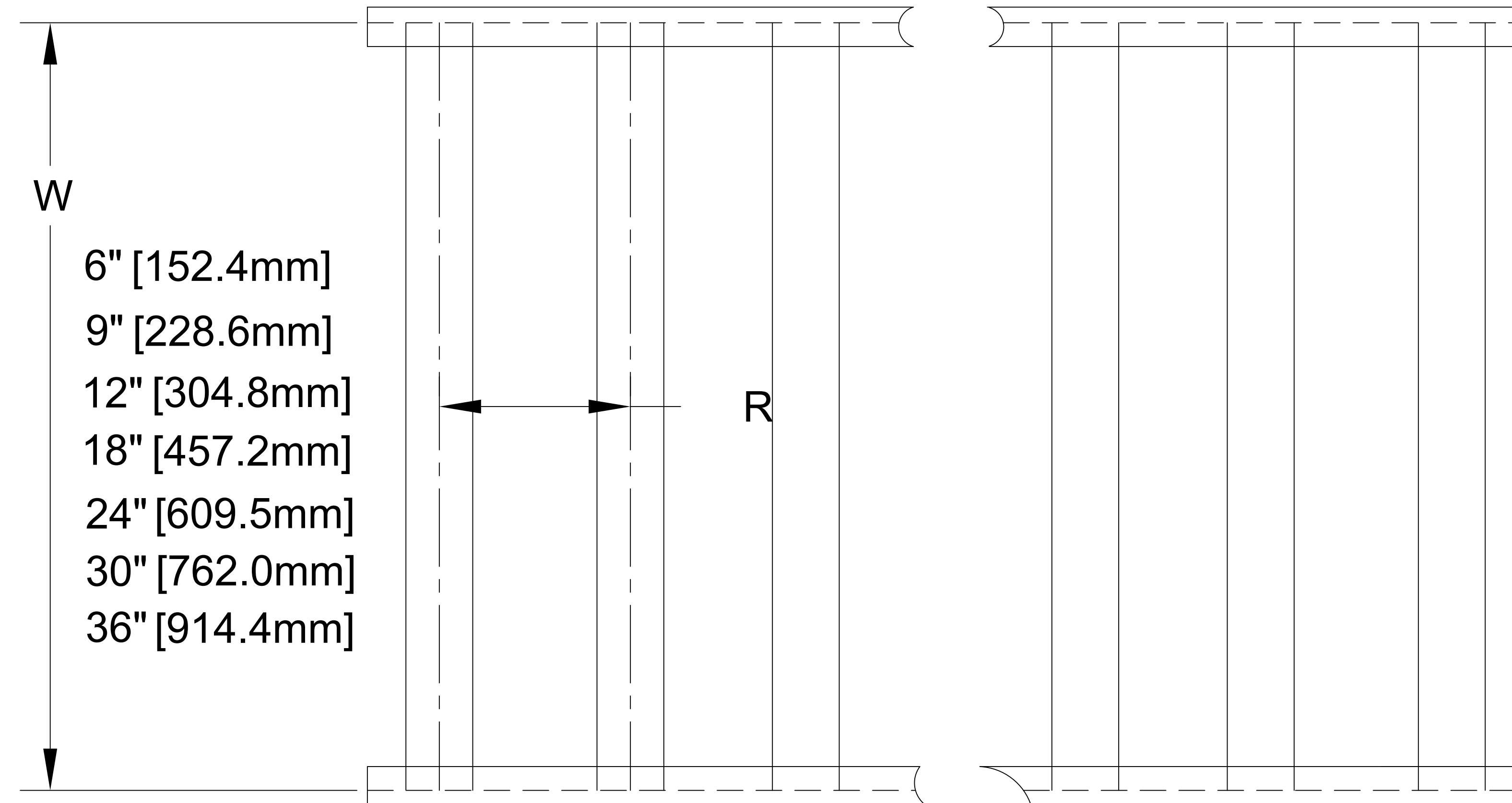
Allowable Loads - Simple Beam Loads Data - (Factor of safety - 1.5)

Span	feet	6	8	10	12	14	16
	meters	1.83	2.44	3.05	3.66	4.27	4.88
Load	lbs/ft	340	191	122	85	62	49
	kg/m	505.9	284.2	181.5	126.5	92.3	72.9
Deflect.	in.	0.280	0.50	0.77	1.11	1.51	2.08
	mm.	7.1	12.7	19.6	28.2	38.4	52.8
**	K-factor	.0082	.0026	.0063	.0131	.0243	.0424

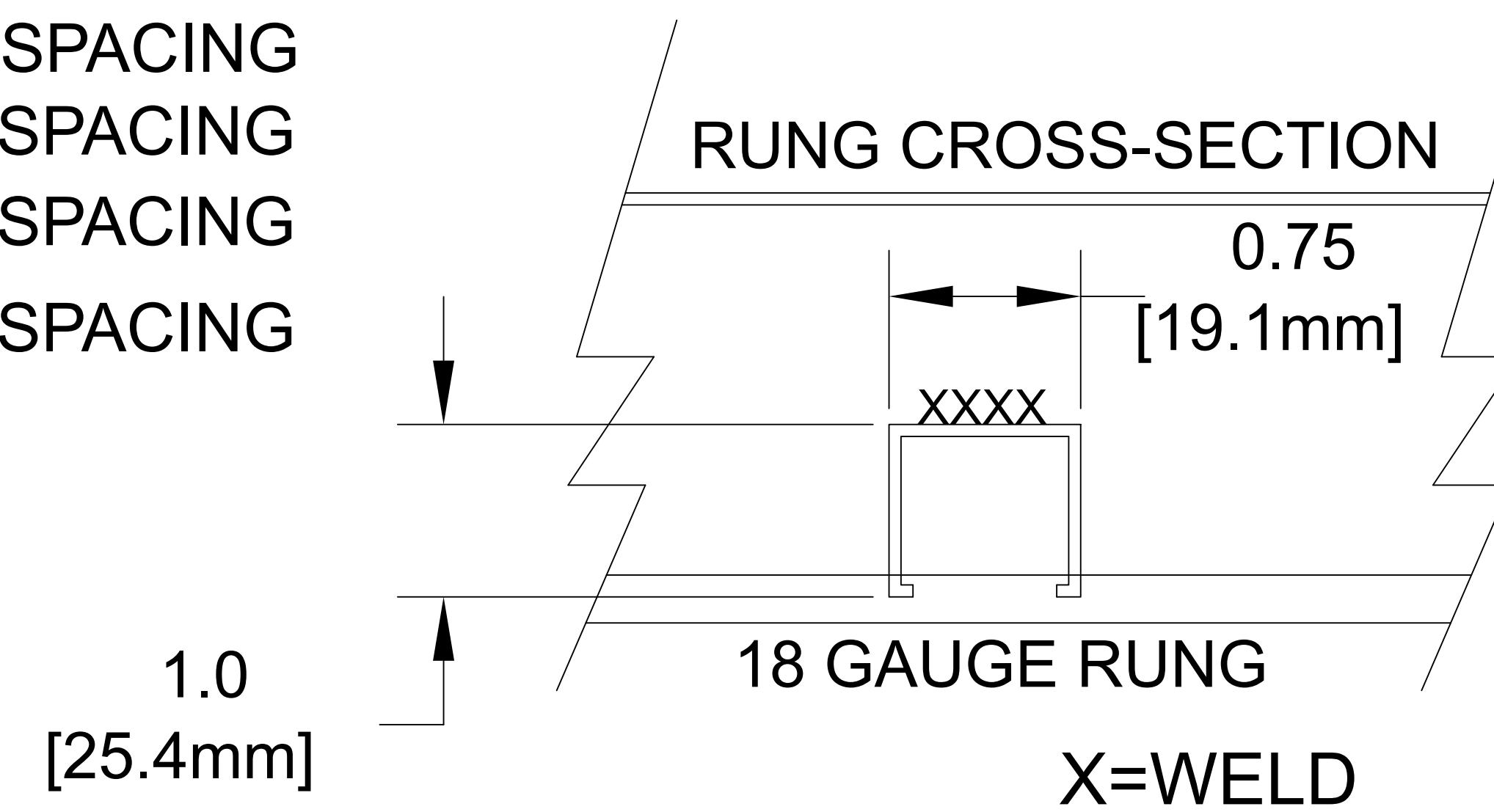
** K x W may be used to calculate deflection of lighter loads at indicated spans above
Furnished with 4 Hole Splice Plate and 8, 9TNB302 3/8" Round Head serrated bolt & integral washer nut assemblies.

Material:
S= Pre Gal Steel
G=HDGAF Steel
T=304 SS Steel
Z=316 SS Steel

AVAILABLE IN 12', 6m AND 24' LENGTHS



R=6" [152.4mm] RUNG SPACING
 R=9" [228.6mm] RUNG SPACING
 R=12" [304.8mm] RUNG SPACING
 R=18" [457.2mm] RUNG SPACING



Notes: 1. Sheet Metal tolerances 2. Unless noted all dimensions are in inches

This drawing and specifications are the property of Chalfant Inc. and shall not be used for the basis of mfg. or sale or quotation of illustrated product without permission.

Chalfant Cleveland, OH Tel. 216-521-7922 Fax 216-521-9922

SIZE	FSCM NO.	DWG NO.	REV
A		248* "W"	
SCALE	010-"R" SHEET		