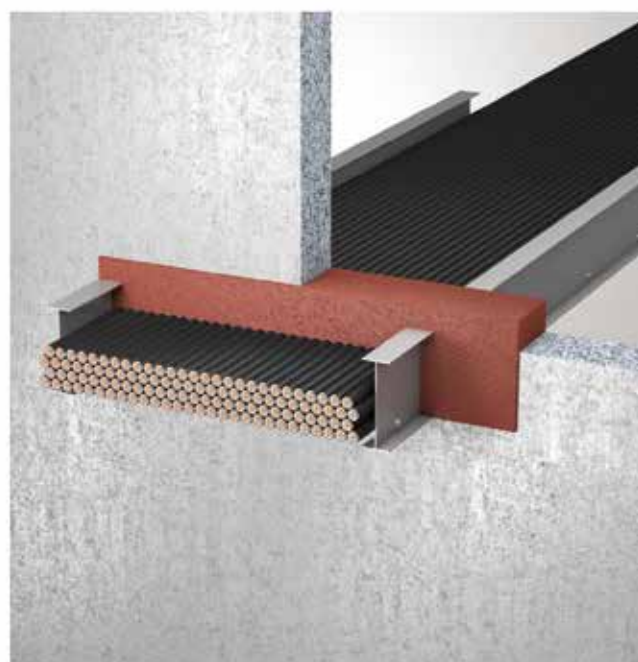


# Fire Protection Foam PYROSIT®

## Installation Manual



# Fire Protection Foam PYROSIT®

## Installation Manual

© 2018 OBO Bettermann Holding GmbH & Co. KG

Reprinting, even of extracts, as well as photographic or electronic reproduction are prohibited!

**Fire Protection Foam PYROSIT®** is a registered brand of OBO Bettermann Holding GmbH & Co. KG

---

## Table of Contents

1	<b>SAFETY WARNINGS!</b> . . . . .	.4
2	<b>Installation steps</b> . . . . .	.5
3	<b>System components</b> . . . . .	.6
4	<b>Accessories</b> . . . . .	.6
5	<b>Processing of Fire Protection Block PYROSIT®</b> . . . . .	.7
6	<b>Retroactive installation of cables and pipes</b> . . . . .	.7
7	<b>Tips.</b> . . . . .	.7
8	<b>Supplemental requirements</b> . . . . .	.8
9	<b>Product data Fire Protection Block</b> . . . . .	.8
10	<b>Important Notice to User</b> . . . . .	.8

# 1 SAFETY WARNINGS!

**This product is designed to be used by professional contractors familiar with the applicable federal, state, and local regulations and specifications concerning the installation of firestopping systems. Prior to handling this product, carefully read the safety data sheet and the following important health and safety warnings.**

**PRODUCT FOR INDUSTRIAL OR PROFESSIONAL USE ONLY. KEEP AWAY FROM CHILDREN.**

Always wear suitable protective clothing, protective gloves and eye protection. Wash thoroughly after handling. Do not eat drink or smoke when using this product. Do not use this product if cartridge is damaged. When cutting this product to appropriate size or creating new openings for retroactive installation, user may cut or otherwise hurt himself or herself. Therefore, use extreme caution when cutting or otherwise mechanically processing this product. In addition, when cutting or otherwise mechanically processing this product, small particles may be created that may cause irritation to the eyes and respiratory system. Therefore, be extremely careful to avoid direct contact, especially if working overhead. Uncured product may form droplets that may cause irritation to the eyes and respiratory system. Therefore, be extremely careful to avoid direct contact, especially if working overhead.

If product comes into contact with eyes: rinse cautiously with water for several minutes. Remove contact lenses, if present and easy to do. Continue rinsing. If eye irritation persists: Get medical attention.

The ingredients in this product may form dangerous gases and vapors in case of fire. These include ammonia, phosphorous oxide, carbon monoxide and carbon dioxide. Seek medical attention if exposed.



## **Danger!**

**Causes skin irritation. May cause an allergic skin reaction. Causes serious eye irritation. May cause allergy or asthma symptoms or breathing difficulties if inhaled. May cause respiratory irritation. Suspected of causing cancer. May cause damage to respiratory system through prolonged or repeated exposure.**

**PRECAUTIONS:** Obtain special instructions before use. Do not breathe dusts or mists. Use only outdoors or in a well-ventilated area. In case of inadequate ventilation wear respiratory protection. Wear protective gloves/protective clothing/eye protection/face protection. Do not eat, drink, or smoke when using this product. Wash thoroughly after handling. Contaminated work clothing must not be allowed out of the workplace. Store locked up in a well-ventilated place. Keep container tightly closed. Dispose of contents/container to hazardous or special waste collection point in accordance with regional and national regulations.

**Response: IF ON SKIN:** Wash with plenty of water/soap. If skin irritation occurs: Get medical advice/attention. Take off contaminated clothing and wash it before reuse.

**IF INHALED:** Remove person to fresh air and keep comfortable for breathing. If experiencing respiratory symptoms: Call a poison center/doctor.

**IF IN EYES:** Rinse cautiously with water for several minutes. Remove contact lenses, if present and easy to do. Continue rinsing. If eye irritation

persists: Get medical advice/attention.

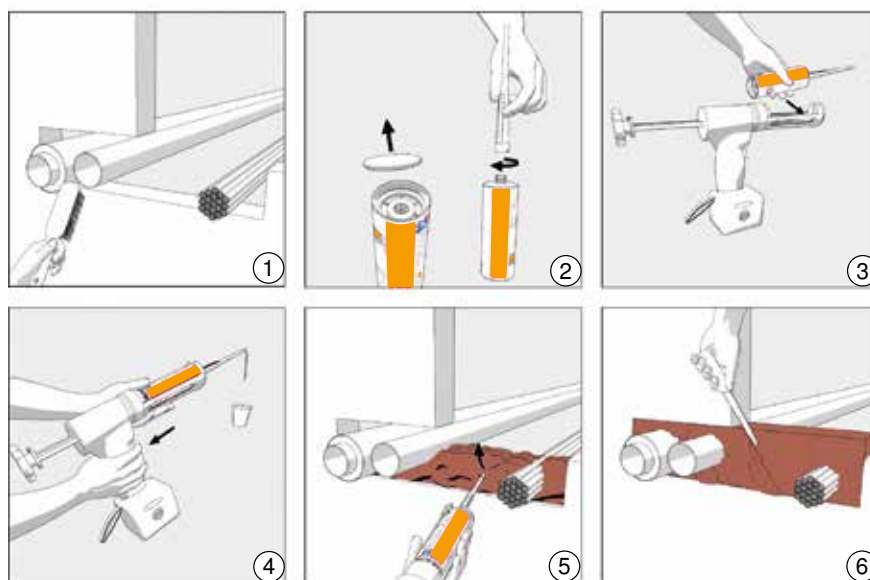
## 2 Installation steps

The UL listed systems for Fire Protection Foam PYROSIT® and the respective local and federal regulations are authoritative for execution of the through penetration firestop system. If the mixing nozzle is clogged, never use force to press out the material; force can destroy the cartridge or the dispensing gun! Wear suitable protective gloves, safety glasses and protective clothing for the work.

### Important notice

**IMPORTANT.** Forcing the Fire Protection Foam PYROSIT® through a clogged mixing nozzle may damage the dispensing gun and/or the cartridge.

If a pause of more than 30 seconds is needed, simply release the trigger of the dispensing gun. However, the mixing nozzle will have to be replaced before continuing application because the Fire Protection Foam PYROSIT® will have cured in it.



- ① Clean the component opening. Cardboard, plastic foil or duct tape can be used as formwork and it can remain on the surface.
- ② Remove the bottom lid of the cartridge. Hold the cartridge vertically with the tip pointing upward, unscrew the cap and firmly screw on the provided mixing nozzle.
- ③ Insert the cartridge into the intended dispensing gun.
- ④ Start pressing out and discard non-uniform initial material.
- ⑤ Fill the opening from back to front. Build up the foam from bottom to top, always guide the tip of the mixing nozzle above the foam so that the material does not stick to it or clog it.

**IMPORTANT.** Forcing the Fire Protection Foam PYROSIT® through a clogged mixing nozzle may damage the dispensing gun and/or the cartridge. After a work interruption longer than approximately 30 seconds the foam hardens in the mixing nozzle, which must then be replaced. Prior to changing the mixing nozzle, relieve pressure on the

- cartridge, and carefully replace the mixing nozzle.
- ⑥ After approx. 2 minutes excess foam can be cut off with a suitable knife in compliance with the necessary protective measures and safety regulations.
  - ⑦ Cables or pipes that will be installed retroactively can be routed through the existing foam. Refill gaps due to removed cables or pipes with Fire Protection Foam PYROSIT®.
  - ⑧ Large free areas can be filled with Fire Protection Block PYROSIT® (See processing of Fire Protection Block PYROSIT®).

### 3 System components



	Designation	Type	Art. no.	PU
①	Fire Protection Foam	FSU-F	7203900	1
②	Fire Protection Block	FSU-B7.9	7203900	4
③	Identification Plate	FSU-IP	7203924	1

### 4 Accessories



	Designation	Type	Art. no.	PU
④	2-K cartridge pistol, hand-actuated	FSB-PH	7203806	1
⑤	Woven strip, self-adhesive, transparent	SHT	7202521	1
⑥	Mixer pipe set	FBS-M	7203803	1

## 5 Processing of Fire Protection Block PYROSIT®

- The use of Fire Protection Block PYROSIT® must satisfy all requirements from the UL listed systems.
- Areas in rectangular openings that are not penetrated by cables, cable support systems, conduits or pipes can be sealed with Fire Protection Block PYROSIT®.
- The Fire Protection Block PYROSIT® must be installed in such a manner that the minimum seal thickness is maintained. To properly seal the connection between Fire Protection Block PYROSIT® and aperture use Fire Protection Foam PYROSIT® along the joint.
- Remove the protective foil of the Block PYROSIT® and install them in layers (like in a brick bond, i.e. layer-by-layer offset of the vertical butt joints) so that they fit tightly in the opening.
- To properly seal the connection between Fire Protection Block PYROSIT® and aperture use Fire Protection Foam PYROSIT® along the joint. After approx. 2 minutes excess foam can be cut off with a suitable knife in compliance with the necessary protective measures and safety regulations

## 6 Retroactive installation of cables and pipes

- New penetrating elements can be routed through the existing through penetration firestop system. Use a suitable cutting/drilling tool to make sufficiently large openings in the penetration seal. (In compliance with the necessary protective measures and safety regulations).
- Cavities or gaps around the newly added penetrating elements or due to removed cables or pipes must be refilled with Fire Protection Foam PYROSIT® or Fire Protection PYROSIT®.
- The newly added penetrating elements must satisfy all requirements of the UL listed systems.

## 7 Tips

- We recommend a knife with serrated blade for optimal cutting of the PYROSIT® Fire Protection Products.
- Material that has been cut can be reused in other openings. Just apply new Fire Protection Foam PYROSIT® around these.
- Installation of penetration seals in floors by a single person is possible.
- The through penetration firestop system can be painted over with off-the-shelf dispersion paint.
- If a pause of less than 30 seconds is needed, fully pull back the dispensing gun's plunger rod, remove the PYROSIT® cartridge, and set it in an upright position. To resume application, insert cartridge and manually push in the plunger rod until it is in contact with the cartridge. Immediately start dispensing and discard non-uniform material.

## 8 Supplemental requirements

The through penetration firestop system shall be permanently marked with an identification plate.

## 9 Product data Fire Protection Block

<b>Transport/storage</b>	Dry, protected against dust and only in the original packaging.
<b>Environmental conditions</b>	Use in dry rooms and indoors with temperatures above 32 °F/0 °C (Exposure to the weather is applicable when an additional (silicone) coating is used).

## 10 Important Notice to User

**This installation guide is intended only to highlight general steps or methods for the application of Fire Protection Foam PYROSIT® and is not intended to describe all details and requirements. System specifications should comply with federal, state and local regulations. Installer should confirm that the field conditions (such as opening size, pipe size and material, insulation type and thickness, and annular space) comply with the system specifications.**

### Technical Information:

The technical information, recommendations and other statements contained in this document are based upon tests or experience that OBO Bettermann believes are reliable, but OBO does not guarantee the accuracy or completeness of such information.

### Product Use:

The use and performance of a OBO product in a particular application is affected by many factors beyond OBO's control and uniquely within user's knowledge and control. Given the variety of factors that can affect the use and performance, user is solely responsible for evaluating the product and determining whether it is fit for a particular purpose and suitable for user's method of application.

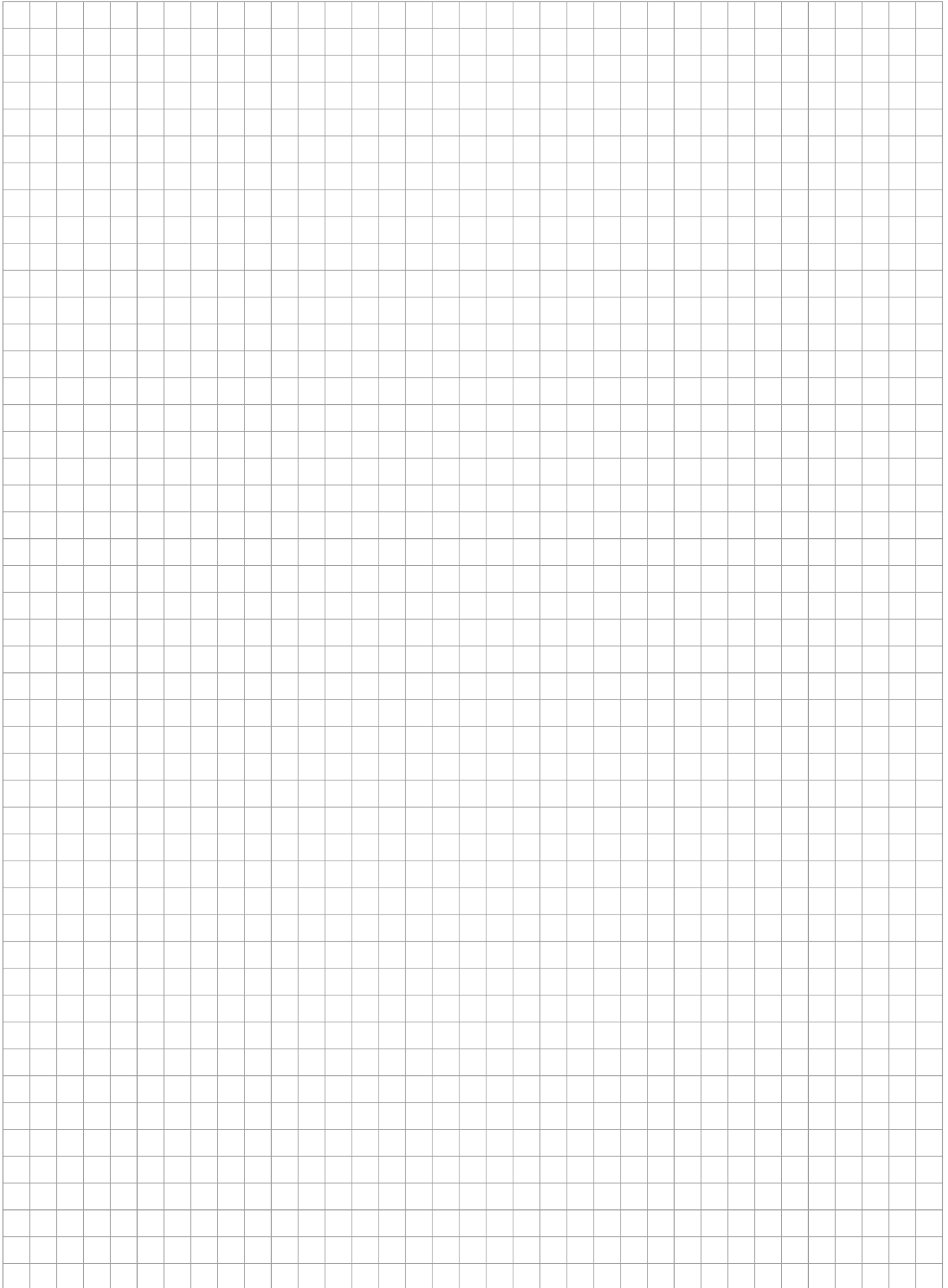
**90 Day Limited Warranty and Limited Remedy:** OBO warrants that each OBO product will be free from defects in material and workmanship for 90 days from the date of purchase from OBO's authorized distributor. OBO MAKES NO OTHER EXPRESS OR IMPLIED WARRANTIES, INCLUDING ANY IMPLIED WARRANTY OF MERCHANTABILITY OR FITNESS FOR A PARTICULAR PURPOSE. If an OBO product does not conform to this warranty, the sole and exclusive remedy is, at OBO's option, replacement of the OBO product or refund of the purchase price.

**Limitation of Liability:** Except where prohibited by law, OBO will not be liable for any loss or damage arising from the OBO product, whether direct, indirect, special, incidental or consequential, regardless of the legal theory asserted.





## Own notes



**Own notes**

A large grid of graph paper, consisting of 28 columns and 38 rows of small squares, intended for taking notes. The grid is empty and occupies the majority of the page.

**OBO Bettermann Holding GmbH & Co. KG**

P.O. Box 1120  
58694 Menden  
Germany

**Customer Service**

Tel.: +49 2373 89 - 1700  
E-Mail: [export@obo.de](mailto:export@obo.de)

[www.obo-bettermann.com](http://www.obo-bettermann.com)